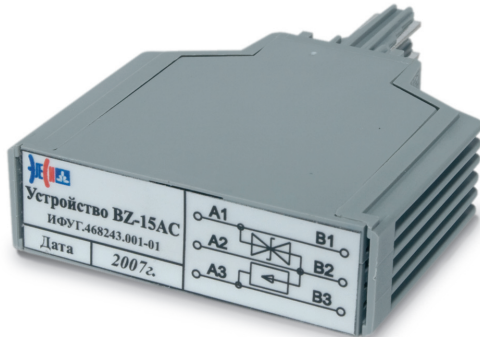


BZ-15AC, BZ2-15AC, BZ16-15AC



Features

- Protection of up to 16 channels
- In-service test
- Compact design
- Simplified and quick mounting

Device Description

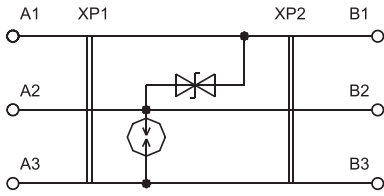
The BZ-15AC, BZ2-15AC, and BZ16-15AC devices are designed to protect I/O analog circuits against the damaging effects of switching and surge voltages.

Technical Data

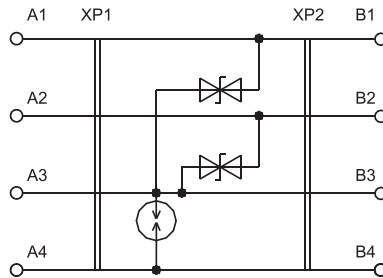
Parameter Name	Value		
	BZ-15AC	BZ2-15AC	BZ16-15AC
Modification			
Number of protected channels	1	2	16
Operation parameters			
Rated operation voltage, V	15		
Limit operation voltage, L/N, V	15.3		
Peak protection level L/N, V	25.2		
Rated current, mA	0.4		
Arrester DC voltage, V	90		
Rated surge current (8/20 μs), N/PE, kA	5		
Maximum surge current (8/20 μs), N/PE, kA	10		
Maximum leakage current, μA	5		
Response time, N/PE, ns, max.	100		
Response time, L/N, ns, max.	1		
Capacitance, L/N, pF	1150	1600	1600
Operation conditions			
Operating temperature range, °C	From -35 to +60		
Relative air humidity at the temperature of 40 °C, %, max.	95		
Atmospheric pressure, kPa	From 86.6 to 106.7		
Design parameters			
Protection degree provided by the enclosure	IP20		IP00
Dimensions LxHxW, mm	15x50x72	20x50x72	40x102x101

Connection Circuits

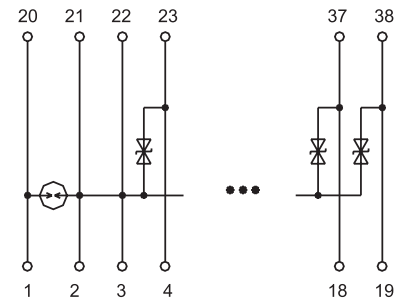
BZ-15AC



BZ2-15AC

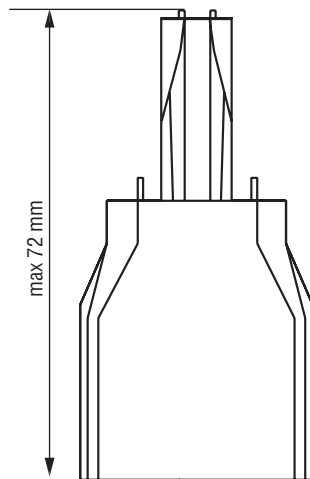
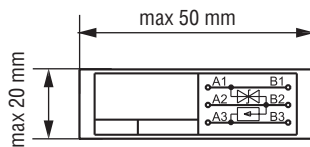


BZ16-15AC

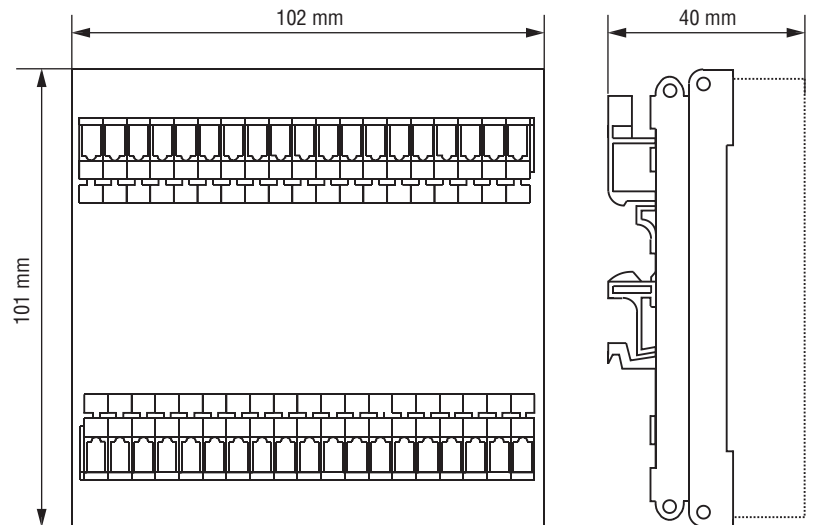


Dimensional Drawings

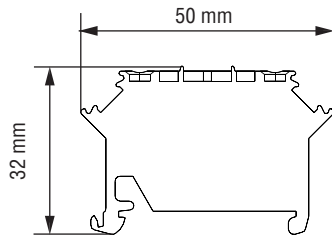
BZ-15AC; BZ2-15AC



BZ16-15AC



WAGO 2-Conductor Carrier Terminal Block



Ordering Information

Order No.	Description
IO66B215E01	BZ-15AC – Lightning and surge protector (1 channel, 15 V)
IO66B215E02	BZ2-15AC – Lightning and surge protector (2 channels, 15 V)
IO66B215E04	BZ16-15AC – Lightning and surge protector (16 channels, 15 V)